

Sapphire Tubes & Ruby Tubes

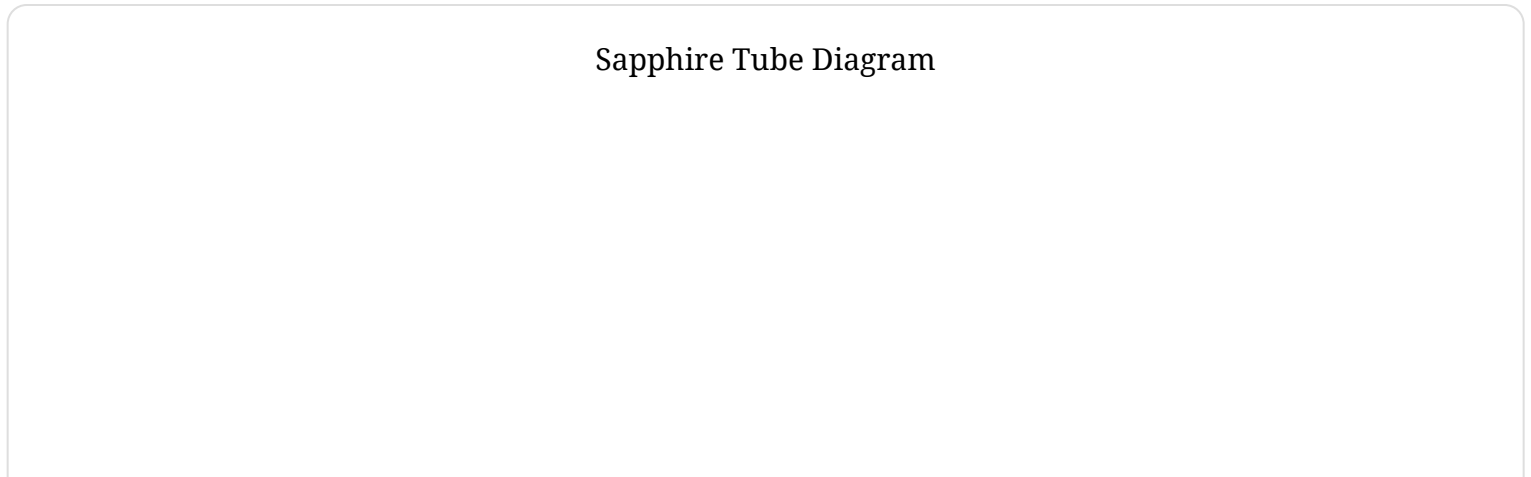
Sapphire Tubes are available in a range of sizes and can be held tighter in tolerance than metal. Stock sizes start with ID .015" and can be made up to almost any ID and OD. Sapphire Tubes are excellent choice for feed-through applications due to material strength.

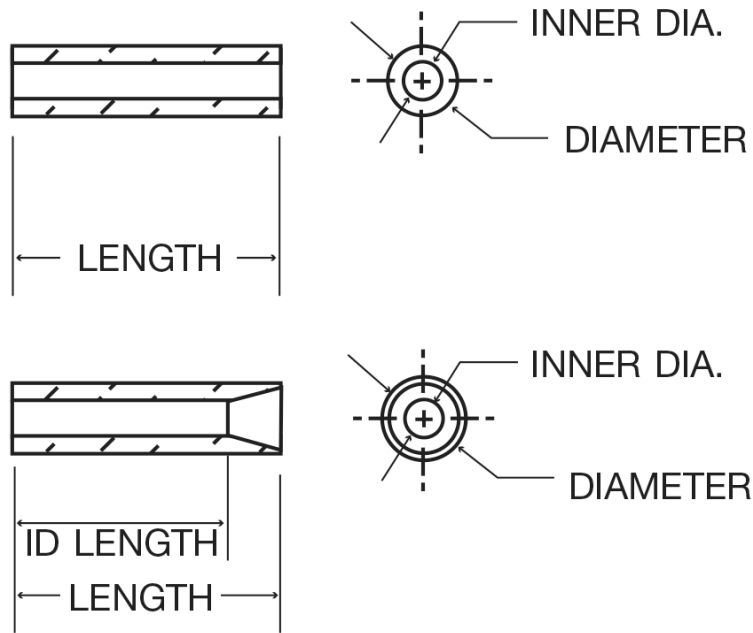
Typical Applications: Guides, Insulators, Flow Control, Spacers



Model	Inside Diameter	Outside Diameter	Length	ID Length
SP-34	.0319/.0321"	.0493/.0496"	.075/.078"	Straight Sapphire Tube
SP-40	.062/.064"	.090/.092"	.195/.205"	Straight Sapphire Tube
SP-50	.014/.016"	.064/.065"	.0550/.0590"	.0374/.0413" Sapphire Tube
SP-55	.017/.019"	.064/.065"	.0590/.0630"	.0460/.0500" Sapphire Tube
SP-60	.020/.022"	.064/.065"	.0700/.0787"	.0528/.0567" Sapphire Tube
SP-65	.024/.026"	.064/.065"	.0760/.0787"	.0610/.0650" Sapphire Tube
SP-70	.029/.031"	.064/.065"	.0800/.0839"	.0690/.0728" Sapphire Tube
SP-75	.038/.040"	.082/.085"	.0800/.0827"	.067/.070" Sapphire Tube
SP-78	.155/.157"	.175/.177"	.123/.127"	Straight Ruby Tube

Sapphire Tube Diagram





NOT SEEING EXACTLY WHAT YOU NEED?

We specialize in creating a wide range of custom optical components and custom mechanical components including a variety of shapes - from internal holes and tapers to outer flanges, angles and surface finishes. Contact us (800-922-0118) and we will consult with you to create a custom component that meets all of your specifications.